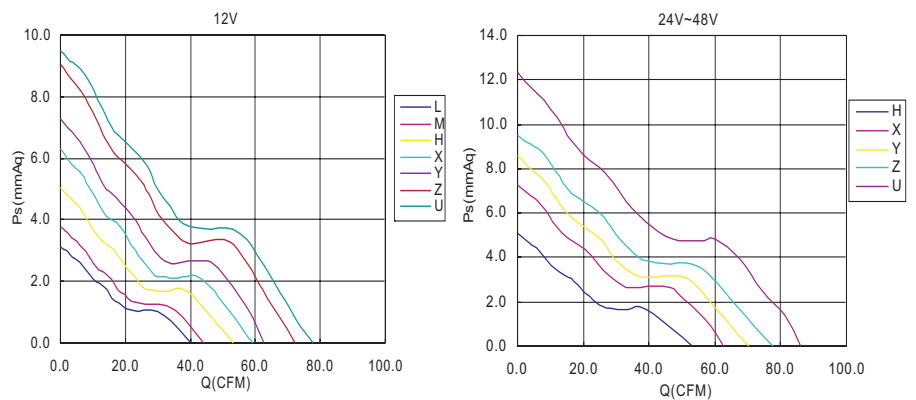


92x92x25mm series C

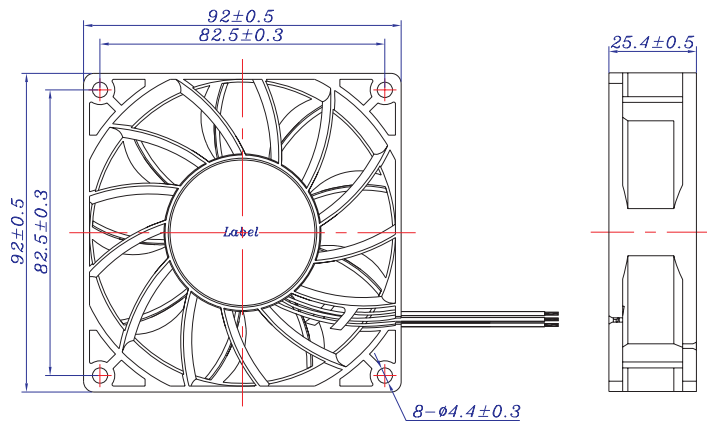
GENERAL SPECIFICATIONS

Frame Material: Plastic(UL 94V-0)
Impeller Material: Plastic(UL 94V-0)
Frame Type: Flange only
Bearing Type: B: Dual ball bearings

AIR FLOW/STATIC-PRESSURE



OUTLINE(mm)



Item No.	Operating Voltage	Maximum Air Flow		Maximum Air Pressure		Speed	Rated Current	Input Power	Noise	Weight
	(V)	(CMM)	(CFM)	(mmAq)	(inchAq)	(rpm)	(A)	(W)	dB(A)	(g)
MG(1)9212LB-(2)25	12	1.139	40.21	3.14	0.124	2,100	0.15	1.80	32.5	155
MG(1)9212MB-(2)25	12	1.247	44.04	3.77	0.148	2,300	0.17	2.04	35.1	155
MG(1)9212HB-(2)25	12	1.502	53.03	5.07	0.200	2,600	0.25	3.00	38.6	155
MG(1)9212XB-(2)25	12	1.675	59.15	6.31	0.248	2,900	0.32	3.84	41.1	155
MG(1)9212YB-(2)25	12	1.771	62.54	7.28	0.287	3,200	0.41	4.92	44.1	155
MG(1)9212ZB-(2)25	12	2.048	72.33	9.06	0.357	3,600	0.47	5.64	47.1	155
MG(1)9212UB-(2)25	12	2.202	77.76	9.49	0.374	3,800	0.54	6.48	48.8	155
MG(1)9224HB-(2)25	24	1.502	53.03	5.07	0.200	2,600	0.19	4.56	38.6	155
MG(1)9224XB-(2)25	24	1.771	62.54	7.28	0.287	3,200	0.22	5.28	44.1	155
MG(1)9224YB-(2)25	24	1.992	70.32	8.56	0.337	3,500	0.27	6.48	46.8	155
MG(1)9224ZB-(2)25	24	2.202	77.76	9.49	0.374	3,800	0.40	9.60	48.8	155
MG(1)9224UB-(2)25	24	2.443	86.25	12.37	0.487	4,300	0.48	11.52	52.9	155
MG(1)9248XB-(2)25	48	1.771	62.54	7.28	0.287	3,200	0.12	5.76	44.1	155
MG(1)9248YB-(2)25	48	1.992	70.32	8.56	0.337	3,500	0.16	7.68	46.8	155
MG(1)9248ZB-(2)25	48	2.202	77.76	9.49	0.374	3,800	0.20	9.60	48.8	155
MG(1)9248UB-(2)25	48	2.443	86.25	12.37	0.487	4,300	0.25	12.00	52.9	155

Remarks:

(1)-Electric Characteristics:

A: Standard 2-Pin; **T:** Frequency Generation 3-Pin or more.

(2)-Function:

A: None Automatic Restart;

O: Automatic Restart & Locked Current Protection;

R: Rotate Detection Automatic Restart & Locked Current Protection;

S: Thermo-Control Speed, Automatic Restart & Locked Current Protection;

W: Pulse Width Modulation & Automatic Restart & Locked Current Protection (PWM).

The spec is for reference only, it's subject to change without any prior notice